



Advanced Card Systems Ltd.
Card & Reader Technologies

ACR1222L NFC Reader with LCD

Technical Specifications





Table of Contents

1.0.	Introduction	3
2.0.	Features	4
3.0.	Typical Applications.....	5
4.0.	Technical Specifications.....	6



1.0. Introduction



The ACR1222L is a PC-linked NFC contactless reader with LCD screen and USB host interface. Developed based on the 13.56 MHz RFID technology and the ISO/IEC 18092 NFC standard, it supports ISO 14443 Type A and B cards, Mifare, FeliCa and all four types of NFC tags.

ACR1222L is equipped with 4 LEDs, a buzzer and an LCD, providing users with a clear indication of the reader's status. The two-line graphic LCD has multiple language support, including Chinese, English, Japanese and some European languages. It allows interactive operation, such as scrolling up and down, left and right etc. ACR1222L also comes with three built-in SAM slots for enhanced security in contactless operations.

Moreover, ACR1222L has a built-in anti-collision feature and direct card type polling commands that enable smooth operation in cases where multiple cards are present. ACR1222L has firmware upgradability and PC/SC compliance, which allows its interoperability across different applications and platforms. With the convenience it enabled in contactless transactions, ACR1222L is suitable for applications such as payment, access control and time and attendance checking.



2.0. Features

- PC/SC for both Contactless and SAM interfaces
- CCID Compliance
- Read/Write speed of up to 424 kbps
- Built-in antenna for contactless tag access, with card reading distance of up to 50 mm (depending on tag type)
- Support for ISO 14443 Part 4 Type A and B cards, Mifare, FeliCa and all four types of NFC (ISO/IEC 18092) tags
- Support for new Mifare Ultralight C and DESFire EV1
- Built-in anti-collision feature (only one tag is accessed at any time)
- Two-line graphic LCD with interactive operability (i.e. scroll up and down, left and right etc) and multi-language support (i.e. Chinese, English, Japanese and some European languages)
- Three ISO 7816-compliant SAM slots
- Four User-controllable LEDs
- User-controllable buzzer
- USB Firmware Upgradability
- USB Full Speed (12 Mbps)



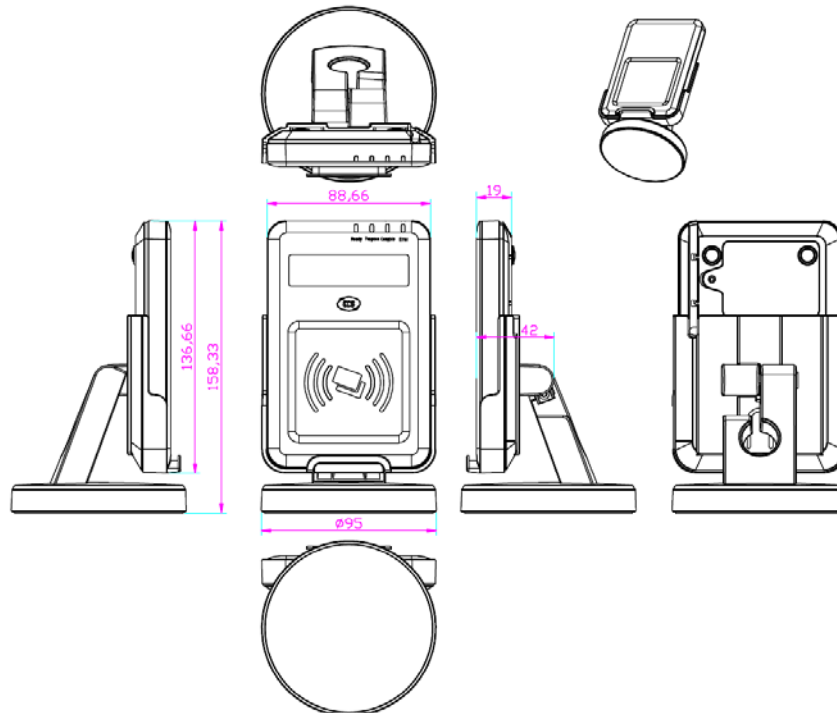
3.0. Typical Applications

- e-Government
- e-Banking and e-Payment
- e-Healthcare
- Transportation
- Network Security
- Access Control
- Loyalty Program





4.0. Technical Specifications



Serial Interface

Power Source..... From USB
Speed..... 12 Mbps (Full Speed)
Supply Voltage Regulated 5 V DC
Supply Current..... 300 mA (maximum)

Contactless Smart Card Interface

Standard..... Mifare, ISO 14443-4 Type A & B, FeliCa, ISO/IEC 18092 NFC
Protocol..... ISO 14443 T=CL for ISO 14443-4 compliant cards and T=CL Emulation for Mifare 1K/4K, FeliCa, ISO 18092
Operating Frequency 13.56 MHz
Operating Distance..... Up to 50 mm (depending on tag type)
Smart Card Read / Write Speed..... 106, 212, 424 kbps

SAM Card Interface

Standard..... ISO 7816
Protocol..... T=0 and T=1 protocol

Casing

Dimensions..... Main Body: 136.66 mm (L) x 88.66 mm (W) x 19.00 mm (H);
With Stand: 158.33 mm (L) x 95.00 mm (W) x 95.00 mm (H)
Weight..... Main Body: 200 g
With Stand: 600 g
Color..... Black

Built-In Peripherals

LCD Display 128 x 32 pixel graphic LCD with yellow-green backlight
Number of characters: 2 line x 16 characters
LED Status Indicators 4 LEDs: Green, Blue, Orange and Red
Buzzer Monotone

Operating Conditions

Temperature..... 0 - 50°C
Humidity 10% - 80%

Cable Connector

Length 1.5 m (USB)

Certifications/Compliance

PC/SC, CCID, CE, FCC, VCCI, RoHS, USB Full Speed
Microsoft WHQL Windows 2000, XP, Vista, 7

Device Driver Operating System Support

Windows © 2000, XP, Vista, 7, Server 2003, Server 2008, Server 2008 R2
Mac
Linux

