



TECHNICAL SPECIFICATIONS

ACR83 PINeasy





Advanced Card Systems Limited

ACR83 PINeasy

1.0 Introduction



Advanced Card Systems, Ltd., Asia's top supplier of smart readers, brings you another quality product: ACR83 USB PIN-pad reader with LCD. ACR83 is a class 2 PIN pad device with LCD display. No need for external input and output devices! All you have to do is plug in the reader, wait for the command to be displayed in the LCD and securely enter your PIN using the built-in keypad.

PORTABLE

Measuring only 81.00mm (L) x 46.00mm (W) x 12.00mm (H) and weighing approximately 60g, its one of the smallest USB class 2 readers in the market. Just detach the USB cable from the device and you could easily carry it in your pocket!

CONVENIENT

Having a 14-key pad (9-0, two navigation buttons and two functional buttons), and a 2 layer LCD, ACR83 can be used with just a CPU—eliminating the need to have a separate monitor and keypad. Also, as a USB powered device, ACR83 requires NO additional power supply or battery.

SECURE

With Secure PIN-Pad Entry (SPE), ACR83 ensures that every transaction you make remains protected. You don't have to worry about your Personal Identification Number being hacked or stolen because all the information remains in the device. No more data traveling to the PC and back to the device for verification. Just a simple 'yes' or 'no' will leave the device and no personal information.



2.0 Features

- Operate in online mode
- 14-key Keypad
- 2 rows x 16 characters dot matrix LCD, each character is 5x8 dots
- Smart Card Reader:
 - USB full speed interface to PC with simple command structure
 - Read and write all microprocessor cards with T=0 or T=1 protocols
 - Short Circuit Protection
 - Conform with: EN 60950/IEC 60950, ISO-7816, PC/SC, CCID, CE, FCC, USB Full Speed, Microsoft WHQL, EMV Level 1
 - Support ISO-7816 Class A, B and C (5V, 3V, 1.8V) cards
 - Support PPS (Protocol and Parameters Selection) with 1,743 – 250,000 bps in reading and writing smart cards
- CE/FCC
- PCSC 2.0 SPE compliant
- WHQL Compliant
- RoHS Compliant

3.0 Typical Applications

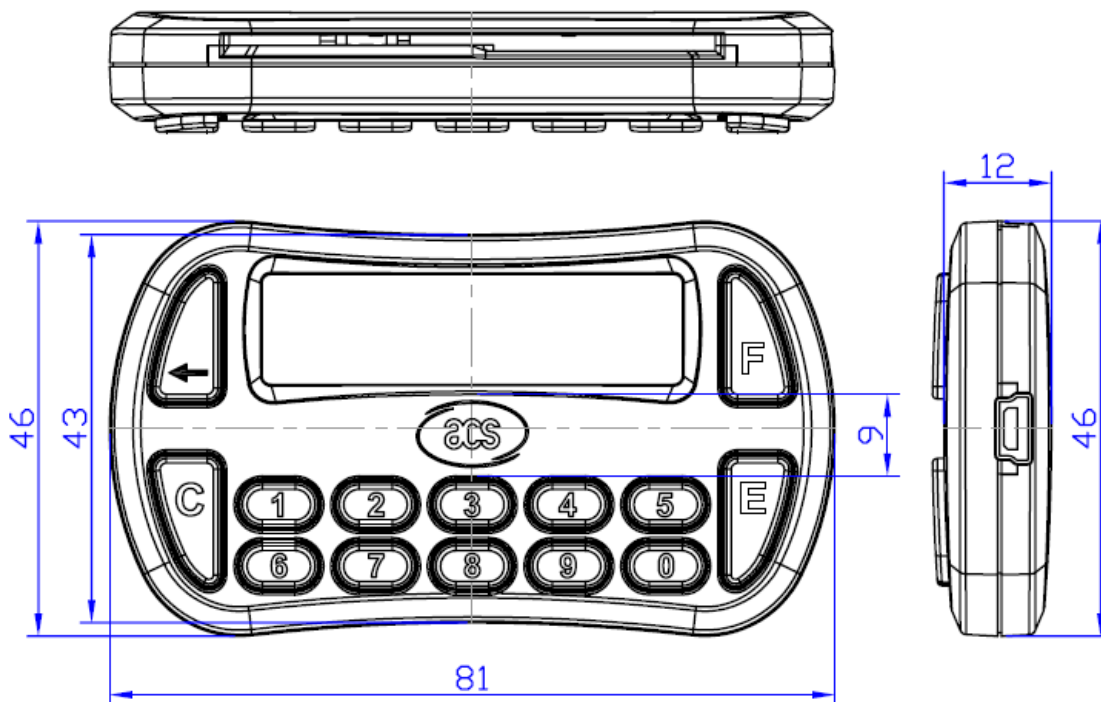
- Cashless payment system
- E-banking
- Phone banking
- Network access control
- Electronic Commerce
- Checking the balance of account of re-loading an electronic purses
- Loyalty and promotions
- Stored value
- Identification

4.0 Technical Specification



Advanced Card Systems Limited

ACR83 PINeasY



Power supply

Supply voltage +5V
Supply current < 100mA (without smart card)

Universal Serial Bus Interface

Type USB full speed, four lines: +5V, GND, D+ and D-
Power source From USB
Speed 12 Mbps

User Interface

Keypad 14 keys
LCD Display 2 rows x 16 characters, each character 5x8 dots

Smart Card Interface

Standard ISO 7816 1/2/3, T=0 and T=1
Supply current max. 50mA
Smart card voltage 1.8V, 3V or 5V
Smart card read / write speed 1,743 – 250,000 bps
Short circuit protection +5V / GND on all pins
CLK frequency 4 MHz
Card connector sliding contacts (8 contacts)
Card insertion cycles min. 100,000

Case

Dimensions 81.00mm (L) x 46.00mm (W) x 12.00mm (H)
Color Black
Weight 60g (approx.)

Operating Conditions

Temperature 0 - 50° C

Standards/Certifications

ISO 7816-1/2/3, CE, FCC, CCID, EMV Level 1

OS

Windows 2K, XP

OEM

OEM-Logo possible, customer-specific colors, casing and card connector

