



BF-430, BF-431 & BF-450 TCP/IP Converter

BF-430, BF-431 & BF-450 is a universal serial device server that can make your industrial serial devices, such as, PLCs, flow meters, gas meters, CNC machines, and biometric identification card readers to be monitored from network. Support web management & firmware upgrade. PPPoE & DDNS protocol makes the user connect to Internet without static IP. Event alarm trigger supported using e-mail & SMS (Short Message Service) to do the real time management for your system.

BF-450 build-in I/O control, user can easy to integrate with other system via this special design.

Applications

- Factory Automation
- Hospital Automation
- Time Recording System
- PLC Instrument Control
- Access Control & Security

Features

- DHCP Client
- PPPoE Over Ethernet
- Dynamic DNS
- TCP/UDP server/client support
- IO Controller (BF-450 Only)
- Backup and Restore configuration
- Alarm Generation (BF-450 Only)
- Full Network Management via Web
- Auto-negotiating 10/ 100M bps Ethernet

Specifications

- Hardware
 - › CPU: 16 bit CPU, 100MHz
 - › Memory: 256 KB ROM & 768KB SDRAM
 - › Connector Type: DB9 (Female)/ RJ-45
 - › Watch Dog: Support watch dog, system never halt
 - › I/O support:
 - BF-450: With 3 input & 3 output GPIO
 - BF-430/431: X
- Interface

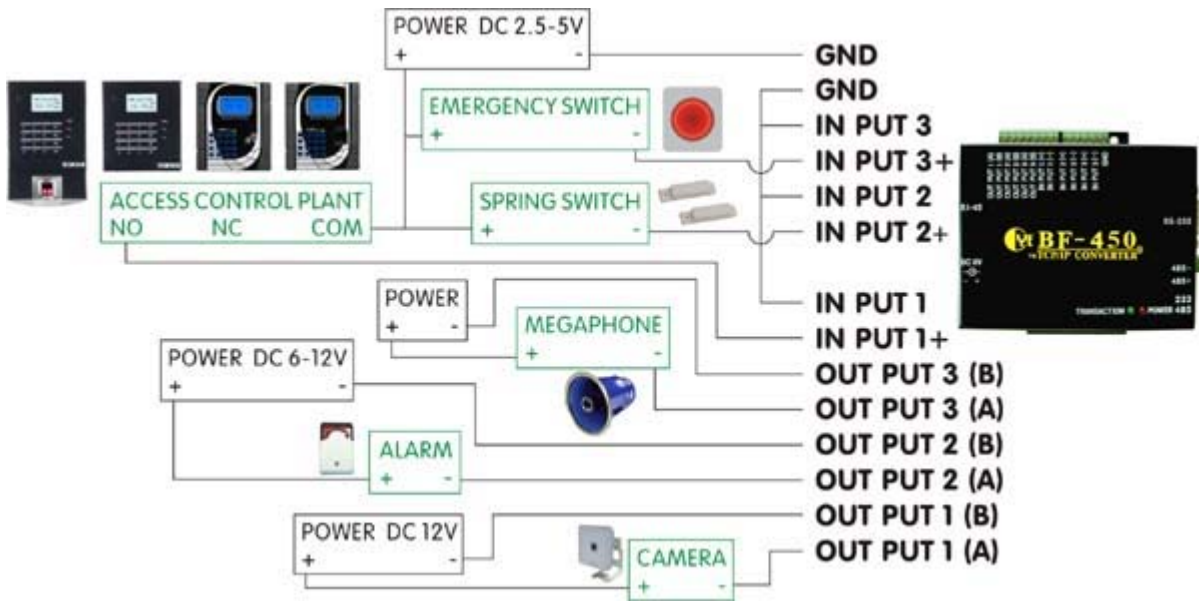
- › Ethernet: 10/100Base-T, half/full duplex
- › Serial:
 - Hardware selected RS-232/485, (BF-431 for RS422)
- › No. of serial Port: 1
- › Signals:
 - RS-232: TxD, RxD, RTS, CTS, DTR, DSR, DCD, GND
 - RS-485 2 wire: Data+/-
- › Baud rate: 1200 bps ~230.4Kbps
- Configuration
 - › Parity Check: None, even, odd, Mark, Space
 - › Data bits: 5, 6, 7, 8
 - › Stop bits: 1, 2
 - › Flow Control: RTS/CTS, XON/XOFF
- Supported OS
 - Windows XP, Windows 2000, Windows NT, Windows95/98 ME, Linux, UNIX
- Protocol
 - TCP, IP, UDP, Telnet, ARP, DHCP, ICMP · SMTP(only BF-450) · PPPoE · HTTP · DDNS
- Management
 - › Support TCP/UDP Server/Client mode.
 - Built-in Http server for set up and remote management via any browser easily
 - › Support backup & restore system configuration data
- Support alarm system via SMS (Short Message Service) to mobile phone or e-mail to PC
 - › (BF-450 Only)
 - › Support I/O control to integrate with other system (BF-450 Only)
- Power & Environment
 - › Power Requirement: DC 9~30V, 300m A
 - › Operation Temperature: 0 ~ 65°
 - › Operation Humidity: 5 ~ 95%RH
 - › Storage Temperature: -20 ~ 85°
 - › Magnetic Protected: Ethernet port 1.5 KV
 - › Surge protection: Serial port 15 KV ESD
 - › Dimension:
 - BF-430/BF-431: 67x 93 x 22 mm
 - BF-450: 81 x 103 x 30 mm

Product Type

Products		BF-430	BF-431	BF-450
Serial		RS232/485	RS232/422	RS232/485
Ethernet	Speed	10/100 BaseT		
	Connector	RJ-45	RJ-45	RJ-45
I/O Controller		X	X	3 in /out

Configurations

- BF-450 I/O CONNECTION



•Typical Application



Accessories

- Power adaptor